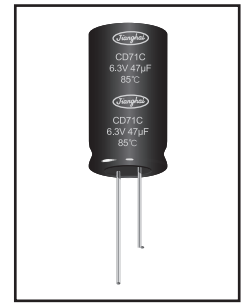
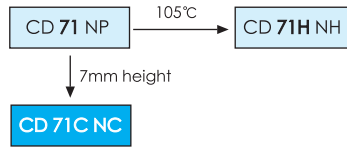


CD 71C NC SERIES



1000h at 85°C

- Load life of 1000 hours at 85°C
- Bi-polar
- 7mm height, standard products



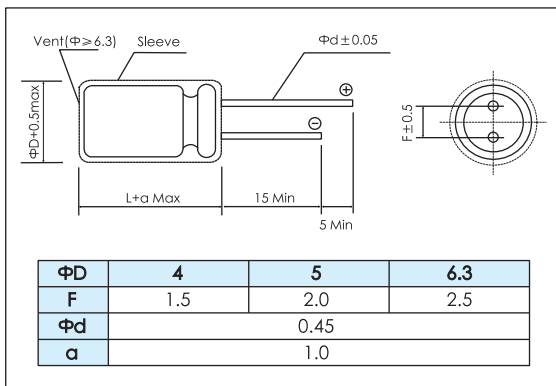
| Items | Characteristics | | | | | | | | | | | | | | |
|-------------------------------------|----------------------------------------------------------------------------------------------------------------------------------------------------------------------------------------------------------------------------------------------------------------------------------|-------------------|------|------|----|----|----|----|-------------|------|------|------|------|--|--|
| Operating Temperature Range (°C) | -40 ~ +85 | | | | | | | | | | | | | | |
| Capacitance Tolerance (20°C, 120Hz) | ± 20% | | | | | | | | | | | | | | |
| Leakage Current (µA) | After 5 minutes at 20°C application of rated voltage, leakage current is not more than 0.03CV+3 C: Nominal Capacitance (µF) V: Rated Voltage (V) | | | | | | | | | | | | | | |
| Dissipation Factor (20°C, 120Hz) | <table border="1"> <thead> <tr> <th>Rated Voltage (V)</th> <th>6.3</th> <th>10</th> <th>16</th> <th>25</th> <th>35</th> <th>50</th> </tr> </thead> <tbody> <tr> <td>Tan δ (max)</td> <td>0.30</td> <td>0.25</td> <td>0.20</td> <td colspan="3">0.15</td> </tr> </tbody> </table> | Rated Voltage (V) | 6.3 | 10 | 16 | 25 | 35 | 50 | Tan δ (max) | 0.30 | 0.25 | 0.20 | 0.15 | | |
| | Rated Voltage (V) | 6.3 | 10 | 16 | 25 | 35 | 50 | | | | | | | | |
| Tan δ (max) | 0.30 | 0.25 | 0.20 | 0.15 | | | | | | | | | | | |

| | Useful Life | | Load Life | Endurance Test | Shelf Life |
|-------------------------------------------------------------------------|---------------------------------------|-----------------------------------|---------------------------------------|---------------------------------------|-------------------------------------------------------------------------------|
| Lifetime | 1500h | 25000h | 1000h | 1000h | 500h |
| Leakage Current | Not more than specified value | | Not more than specified value | Not more than specified value | Not more than specified value |
| Capacitance Change | Within ± 30% of initial value | | Within ± 20% of initial value | Within ± 20% of initial value | Within ± 20% of initial value |
| Dissipation Factor | Not more than 300% of specified value | | Not more than 200% of specified value | Not more than 200% of specified value | Not more than 200% of specified value |
| Condition: Applied Voltage Applied Current Applied Temperature | U_R I_R 85°C | U_R $1.2 \times I_R$ 40°C | U_R I_R 85°C | U_R $I_R = 0$ 85°C | After test: U_R to be applied for 30min >24h before measurement |

Note: The life test excluding shelf life should be conducted with the polarity inverted every 250hrs.

Dimensions

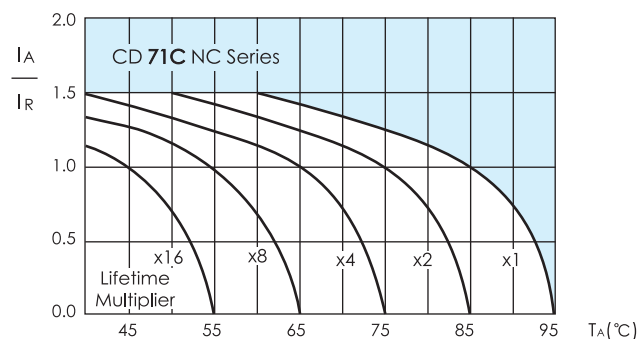
mm



Frequency Coefficient

| Frequency | 50-60Hz | 120Hz | 500Hz | 1kHz | 10~100kHz |
|-------------|---------|-------|-------|------|-----------|
| Coefficient | 0.80 | 1.00 | 1.20 | 1.30 | 1.50 |

Lifetime Diagram



Temperature Coefficient

| Temperature(°C) | +70 | +85 |
|-----------------|------|-----|
| Coefficient | 1.35 | 1 |

Ratings for CD 71C NC Series

| U _k (Surge Voltage) Code | Rated Capacitance | Max ESR 20°C, 120Hz | Rated Ripple Current 85°C, 120Hz | Size ΦD x L | P/N |
|-------------------------------------------|----------------------|------------------------|----------------------------------------|----------------|---------------------|
| (V) | (μF) | (Ω) | (mA _{rms}) | (mm) | - |
| 6.3 (7.2) 0J | 22 | 18 | 32 | 5×7 | ECR0JNC220M□□050007 |
| | 33 | 12 | 40 | 5×7 | ECR0JNC330M□□050007 |
| | 47 | 8 | 56 | 6.3×7 | ECR0JNC470M□□063007 |
| 10 (13) 1A | 10 | 33 | 23 | 4×7 | ECR1ANC100M□□040007 |
| | 22 | 15 | 35 | 5×7 | ECR1ANC220M□□050007 |
| | 33 | 10 | 45 | 6.3×7 | ECR1ANC330M□□063007 |
| 16 (20) 1C | 47 | 7 | 65 | 6.3×7 | ECR1ANC470M□□063007 |
| | 4.7 | 56 | 18 | 4×7 | ECR1CNC4R7M□□040007 |
| | 10 | 27 | 25 | 5×7 | ECR1CNC100M□□050007 |
| 25 (32) 1E | 22 | 12 | 45 | 6.3×7 | ECR1CNC220M□□063007 |
| | 33 | 8 | 60 | 6.3×7 | ECR1CNC330M□□063007 |
| | 3.3 | 60 | 15 | 4×7 | ECR1ENC3R3M□□040007 |
| 35 (44) 1V | 4.7 | 42 | 18 | 5×7 | ECR1ENC4R7M□□050007 |
| | 10 | 20 | 35 | 6.3×7 | ECR1ENC100M□□063007 |
| | 22 | 9 | 50 | 6.3×7 | ECR1ENC220M□□063007 |
| 50 (63) 1H | 2.2 | 90 | 13 | 4×7 | ECR1VNC2R2M□□040007 |
| | 3.3 | 60 | 19 | 5×7 | ECR1VNC3R3M□□050007 |
| | 4.7 | 42 | 22 | 5×7 | ECR1VNC4R7M□□050007 |
| 50 (63) 1H | 10 | 20 | 37 | 6.3×7 | ECR1VNC100M□□063007 |
| | 0.1 | 1990 | 1 | 4×7 | ECR1HNC0R1M□□040007 |
| | 0.22 | 905 | 2 | 4×7 | ECR1HNCR22M□□040007 |
| | 0.33 | 603 | 3 | 4×7 | ECR1HNCR33M□□040007 |
| | 0.47 | 424 | 5 | 4×7 | ECR1HNCR47M□□040007 |
| | 1 | 199 | 10 | 4×7 | ECR1HNC010M□□040007 |
| | 2.2 | 90 | 19 | 5×7 | ECR1HNC2R2M□□050007 |
| | 3.3 | 60 | 26 | 5×7 | ECR1HNC3R3M□□050007 |
| | 4.7 | 42 | 32 | 6.3×7 | ECR1HNC4R7M□□063007 |

Customer products are available on request.